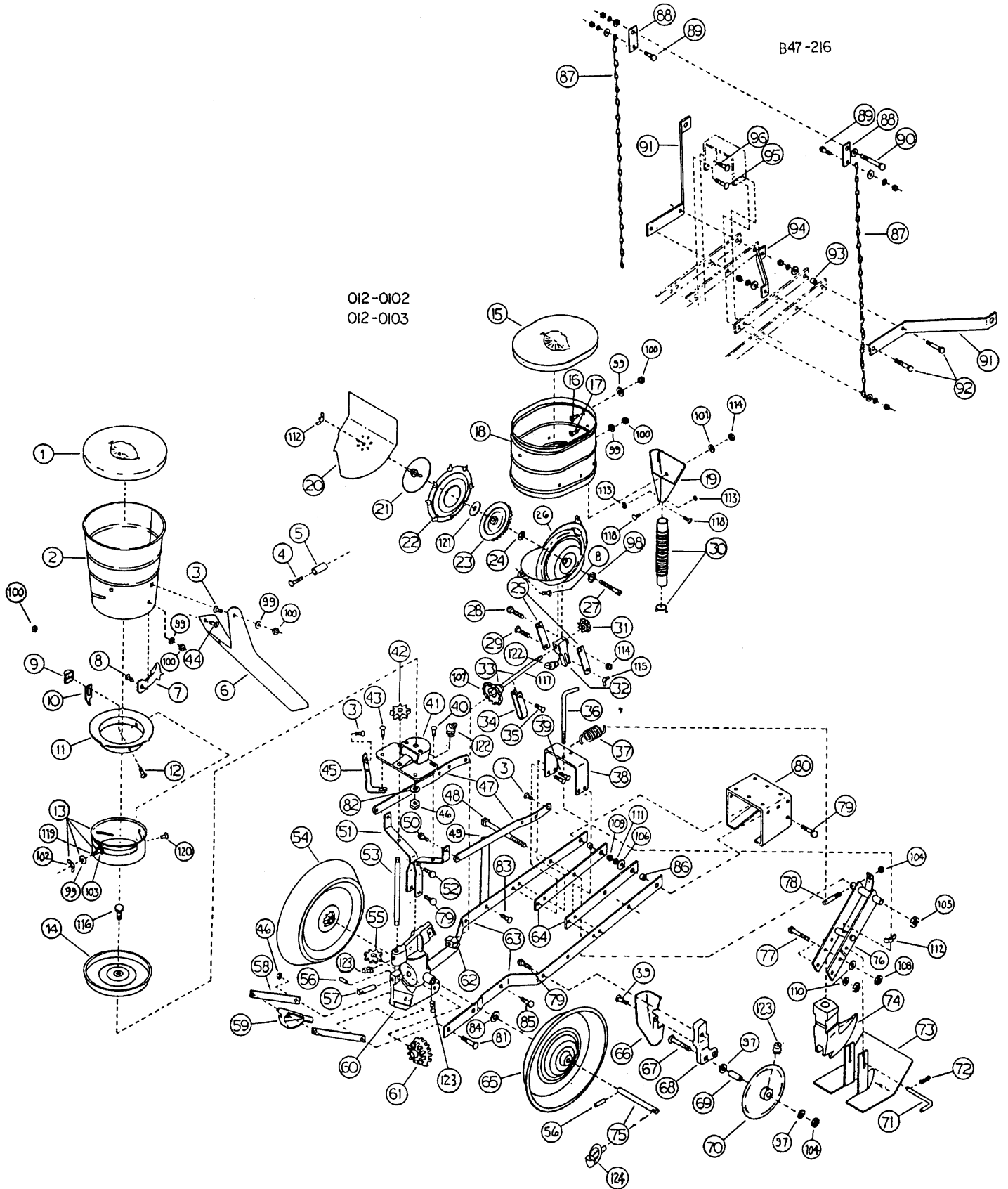


11 and 12MX Planter Assembly

012-0102, 012-0103 and B47-216



11 and 12MX Planter Assembly

012-0102, 012-0103 and B47-216

DIAGRAM NUMBER	PART NUMBER	DESCRIPTION	NUMBER PER ASSEMBLY
1	P20-909	Lid, Fertilizer Hopper (Plastic)	1
2	P30-593	Can, Fertilizer Riveted	1
3	001-2549-S	Bolt, Crg., 1/4-20NC x 5/8 Lg. Short Shoulder	7
4	001-2558	Bolt, Crg., 1/4-20NC x 2-1/2	1
5	P20-235	Spacer, Hopper	1
<hr/>			
6	POS-35	Spout, Fertilizer	1
7	POA-50	Scrape, Outside Fertilizer Casting	1
8	001-2986	Screw, Machine Flat Head 1/4-20NC x 3/4	1
9	P00-52	Shield, Scrape	1
10	POA-51	Scrape, Inside Fertilizer	1
<hr/>			
11	P00-57	Ring, Fertilizer	1
12	001-2991	Screw, Machine Flat Head 1/4-20NC x 1-1/2	1
13	BOS-37	Assembly, Cut-off Band	1
	BNS-34	Assembly, Fertilizer Hopper, Complete	1
14	P00-246	Plate, Fertilizer	1
<hr/>			
15	B21-025	Lid, Seed Hopper	1
16	001-2985	Screw, Machine Flat Head 1/4-20NC x 5/8	1
17	001-2980	Screw, Machine Flat Head 1/4-20NC x 3/4	1
18	B30-592	Can, Seed Hopper	1
	B30-602	Seed Hopper Assembly, Complete	1
<hr/>			
19	P46-689	Spout, Seed	1
20	P20-927	Partition, Seed	1
21	P20-926	Cap, Seed Plate	1
22	P30-433	Plate, Seed 42 Cell	1
	P30-434	Plate, Seed 16 Cell	1
	P30-435	Plate, Seed 8 Cell	1
	POX-367	Plate, Seed 12 Cell	1
<hr/>			
23	P00-187	Gear, Under Seed Plate	1
24	001-0140	Nut, 3/8 Pal.	1
25	P30-342	Steel, Bottom	2
26	P00-B189	Bottom, Hopper	1
	POB-189	Hopper Bottom Assembly	1
<hr/>			
27	001-2075-B	Screw, Cap HH 3/8-16NC x 3/2 Sq. Hd., <i>Full Thread</i>	1
28	001-2037	Screw, Cap HH 5/16-18NC x 1-1/2	1
29	001-2576	Bolt, Crg., 5/16-18NC x 1-1/2	1
30	P21-104	Spout, Seed, Rubber W/Wire	1

11 and 12MX Planter Assembly

012-0102, 012-0103 and B47-216

DIAGRAM NUMBER	PART NUMBER	DESCRIPTION	NUMBER PER ASSEMBLY
31	POG-8	Gear, 8 Tooth	1
	POG-10	Gear, 10 Tooth	1
	POG-12	Gear, 12 Tooth	1
	POG-14	Gear, 14 Tooth	1
32	P00-206	Bearing, Upper	1
<hr/>			
33	PCB-45	Assembly, Drive Shaft W/Gear	1
34	POC-43	Stop, Axle	1
35	001-2553	Bolt, Crg., 1/4-20NC x 1-1/4	1
36	P21-132A	Rod, Depth Adjusting	1
37	P21-108	Spring	1
<hr/>			
38	P21-114	Bracket, Adjusting	1
39	001-2598	Bolt, Crg., 3/8-16NC x 1-1/4	5
40	001-2575	Bolt, Crg., 5/16-18NC x 1-1/4	2
41	P20-512	Saddle	1
42	POB-255	Gear, Upper Drive	1
<hr/>			
43	001-2574-S	Bolt, Crg., 5/16-18NC x 1 Short Shoulder	2
44	001-2002	Screw, Cap HH 1/4-20NC x 1/2	1
45	POS-257	Brace	2
46	001-0055	Locknut, 3/8-16NC Hex	2
47	POC-179	Brace, Hopper	2
<hr/>			
48	001-2163	Screw, Cap HH 5/8-11NC x 7	1
49	PCL-178	Brace, Left	1
	PCR-178	Brace, Right	1
50	001-2033	Screw, Cap HH 5/16-18NC x 3/4	2
51	P20-324	Leg	2
<hr/>			
52	001-2035	Screw, Cap HH 5/16-18NC x 1	1
53	P20-713A	Shaft, Drive 5/8	1
54	P00-1868-G	Wheel, Half, Gear Side	1
55	P20-712	Gear, Lower Drive	1
56	001-3433	Pin, Roll 1/4 x 1-1/2	2
<hr/>			
57	P20-322	Axle, Drive Gear	1
58	P20-630	Arm, Scraper	2
59	P20-720	Scrape, Wheel	1
60	P20-320	Support, Main	1
61	POA-253	Gear, Drive	1
<hr/>			
62	POA-214	Bearing, Lower	1
63	P21-112	Beam, Planter	2

11 and 12MX Planter Assembly

012-0102, 012-0103 and B47-216

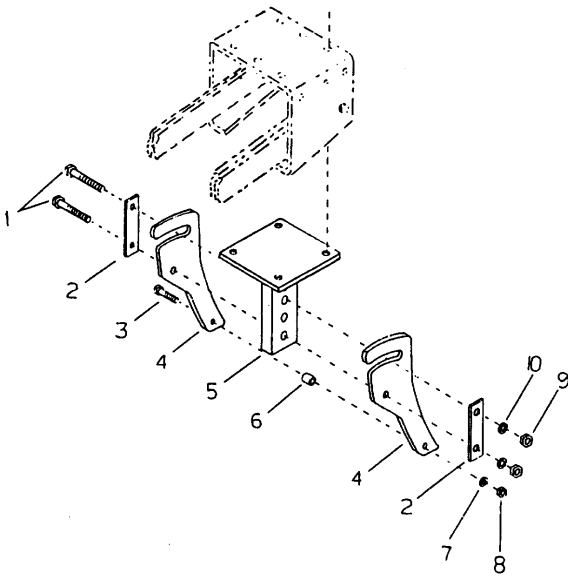
DIAGRAM NUMBER	PART NUMBER	DESCRIPTION	NUMBER PER ASSEMBLY
64	P21-113	Beam, Back-up	2
65	P00-186B-P	Wheel, Half, Plain Side	1
66	P21-174	Spout, Side Placer	1
<hr/>			
67	001-2651	Bolt, Crg., 1/2-13NC x 3-1/4	1
68	P21-175	Bracket, Attaching, Side Placer	1
69	P20-705	Bushing, Side Placer	1
70	P20-697	Placer, Side, Fertilizer	1
71	P21-134	Pin	1
<hr/>			
72	P20-277	Hair Pin #16 (1/8) Wire	1
73	P21-109	Skid Plate	1
74	P21-131	Foot, Opener	1
75	P0S-99	Axle, Wheel 3/4	1
76	P21-115	Support, Arm	1
<hr/>			
77	001-2043	Screw, Cap HH 5/16-18NC x 3	2
78	P21-120	Rod, Adjusting 1/2	1
79	001-2067	Screw, Cap HH 3/8-16NC x 1-1/2	4
80	P21-121	Bracket, Attaching	1
81	001-2600	Bolt, Crg., 3/8-16NC x 1-3/4	2
<hr/>			
82	001-1067	Washer, Flat Special	1
83	001-2597	Bolt, Crg., 3/8-16NC x 1	2
84	001-1046	Washer, 1-7/8 OD x 15/16 ID x 1/16	1
85	001-2065	Screw, Cap HH 3/8-16NC x 1	4
86	P21-133	Bushing, 45/64 OD x 13/32 ID x 17/32	2
<hr/>			
87	P46-709	2/0 Twist Chain, 30 Links	2
88	P46-708	Plate, Attaching	2
89	001-2035	Screw, Cap HH ZP 5/16-18NC x 1	2
90	001-2073	Screw, Cap HH ZP 3/8-16NC x 3	1
91	P46-706	Arm, Main	2
<hr/>			
92	001-2068	Screw, Cap HH ZP 3/8-16NC x 1-3/4	4
93	P21-133	Bushing, 45/64 OD x 13/32 ID x 17/32	2
94	P46-710	Brace, Cross	1
95	001-2600	Bolt, Crg., ZP 3/8-16NC x 1-3/4	2
96	001-2598	Bolt, Crg., ZP 3/8-16NC x 1-1/4	2
<hr/>			
97	001-1005	Washer, Flat 1/2	2
98	P30-450	Ring, "O", 9/16 OD x 3/8 ID x 3/32	1
99	001-1001	Washer, Flat 1/4	11
100	001-0005	Nut, 1/4-20NC Hex	14
101	001-1002	Washer, Flat 5/16	1

11 and 12MX Planter Assembly

012-0102, 012-0103 and B47-216

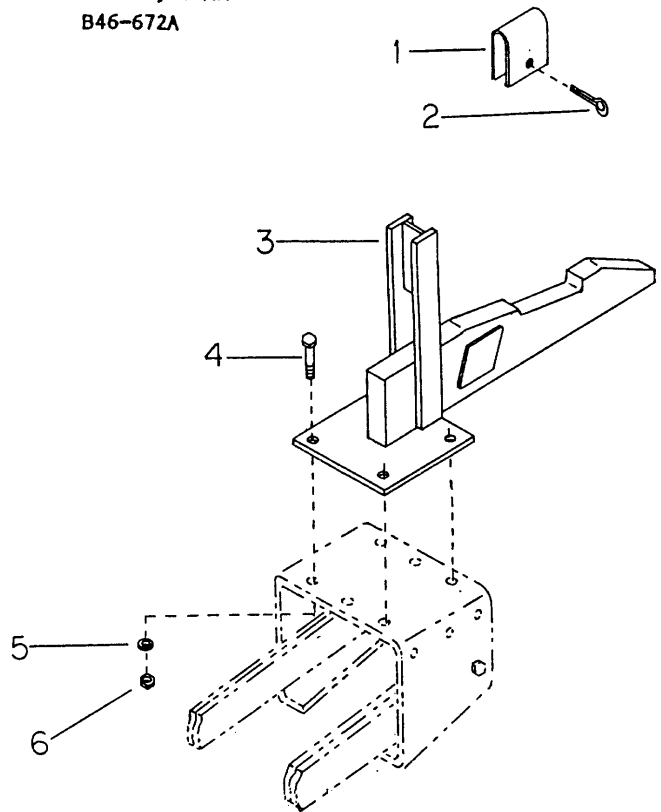
<u>DIAGRAM</u> <u>NUMBER</u>	<u>PART NUMBER</u>	<u>DESCRIPTION</u>	<u>NUMBER</u> <u>PER ASSEMBLY</u>
102	001-0100	Nut, Wing 1/4-20NC	1
103	001-1005	Nut, 1/4 -20NC Hex	1
104	001-0009	Nut, 1/2-13NC Hex	2
105	001-0057	Locknut, 5/8-11NC	1
106	011-1003	Washer, Flat 3/8	2
<hr/>			
107	P00-220	Gear, Drive Shaft	1
108	001-0006	Nut, 5/16-18NC Hex	10
109	001-0007	Nut, 3/8-16NC Hex	16
110	001-1251	Washer, Lock 5/16	2
111	001-1252	Washer, Lock 3/8	4
<hr/>			
112	001-0103	Nut, Wing 3/8-16NC	2
113	001-0004	Nut, Hex 10-24NC	2
114	001-0061	Locknut, 5/16-18NC	2
115	001-0101	Nut, Wing 5/16	1
116	001-2066	Screw, Cap HH 3/8-16NC x 1-1/4	1
<hr/>			
117	P20-644	Shaft, Hopper Drive	1
118	001-3096	Screw, Mach. Rd. Hd. #10-24NC x 1/2	2
119	001-2552-S	Bolt, Crg., 1/4-20NC x 1 Short Shoulder	1
120	001-3486	Rivet, 1/4 x 1/2	3
121	001-1309	Washer, Special Fender 1-1/2 OD x 13/32 ID x 24 GA.	1
<hr/>			
122	003-8520	Fitting, Grease, 65 deg., 1/4" drive included with P20-512, P00-206	2
123	003-8523	Fitting, Grease, St., 1/4" drive included with P20-320, P20-697	3
124	001-3727	Pin, Lynch, 1/4" x 1-3/4"	1

FRICTION TRIP OPENING FOOT, 12MX
B46-674

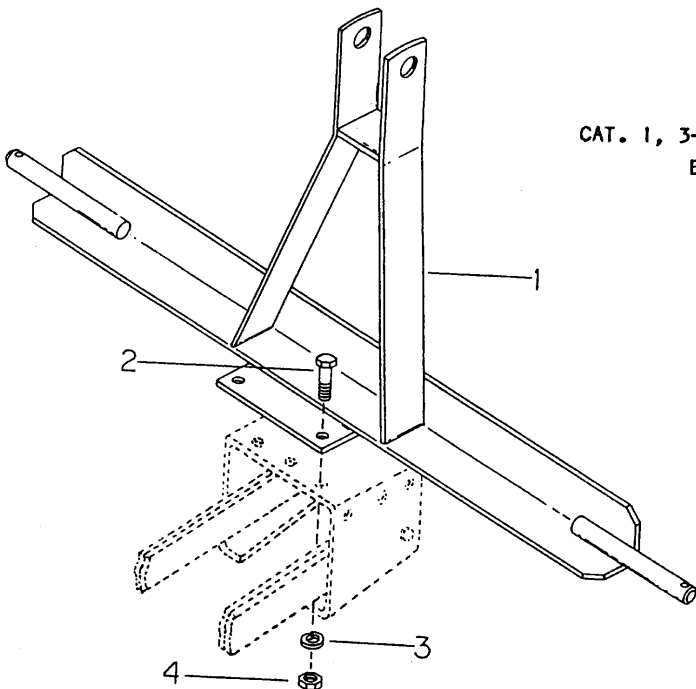


REF NO.	PART NO.	DESCRIPTION	NO. REQ
1	001-2071	Screw, Cap HH ZP 3/8-16NC x 2-1/2	2
2	P45-943	Steel, Friction	2
3	001-2039	Screw, Cap HH ZP 5/16-18NC x 2	1
4	P45-718	Trip Foot Steel	2
5	P21-148	Weldment, Opening Foot	1
6	P45-596	Spacer, 3/8 BIP x 3/4	1
7	001-1251	Lockwasher, 5/16	1
8	001-0006	Nut, Hex ZP 5/16-18NC	1
9	001-0007	Nut, Hex ZP 3/8-16NC	2
10	001-1252	Lockwasher, 3/8	2

FAST HITCH, 12MX
B46-672A



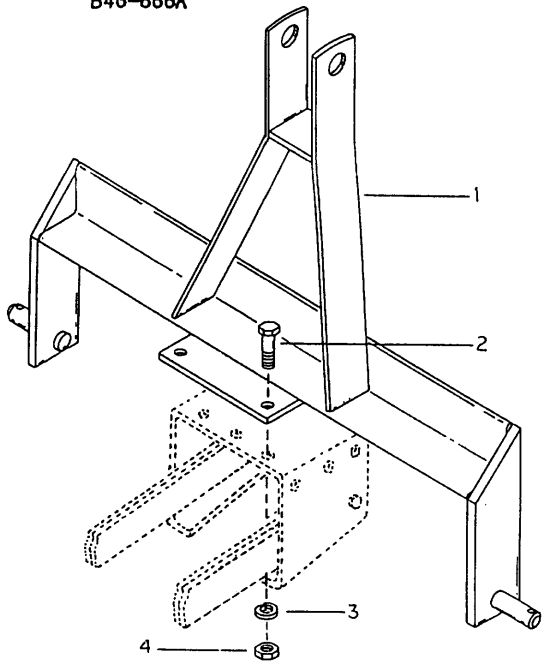
REF NO.	PART NO.	DESCRIPTION	NO. REQ
1	P45-819	Spacer, Lift, 3/16 x 2 x 4	1
2	001-3378	Pin, cotter, 1/4 x 1-3/4	1
3	P46-711	Weldment, Fast Hitch, 12 MX	1
4	001-2121	Screw, Cap HH, ZP, 1/2-13NC x 1-1/2	4
5	001-1254	Lockwasher, 1/2	4
6	001-0009	Nut, Hex, ZP 1/2-13NC	4



CAT. 1, 3-POINT HITCH, 12MX
B46-664A

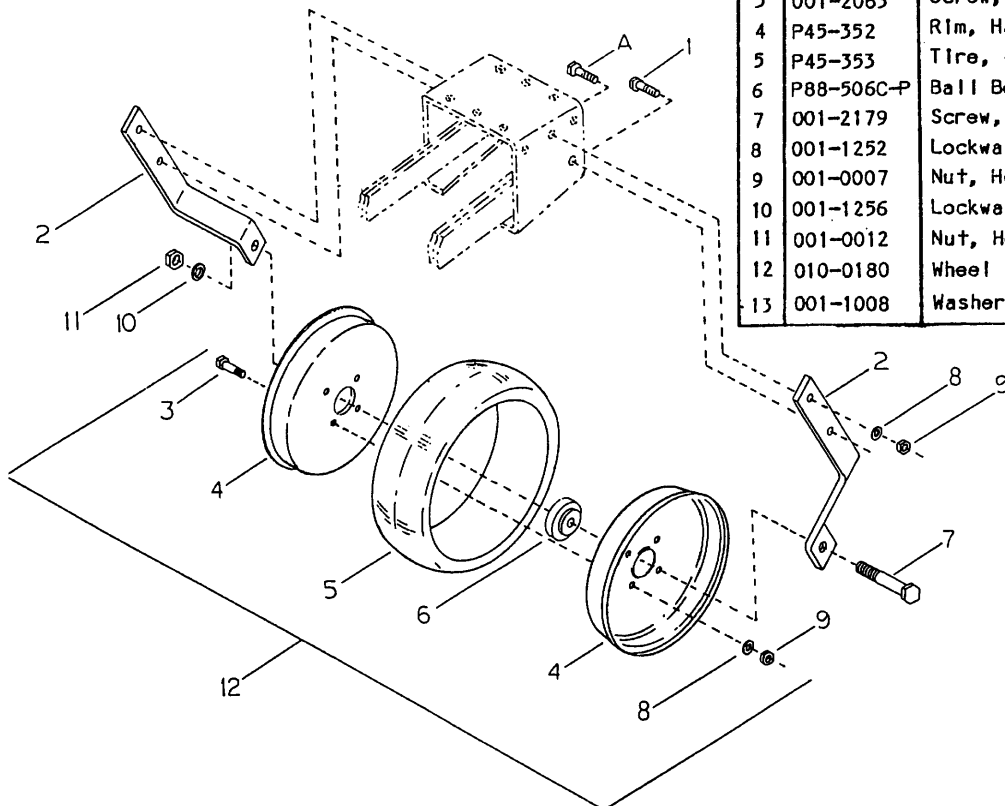
REF NO.	PART NO.	DESCRIPTION	NO. REQ
1	P46-693A	Hitch, 3 Point, CAT. 1	1
2	001-2121-5	Screw, Cap HH ZP 1/2-13NC x 1-1/2 Gr. 5	4
3	001-1254	Lockwasher 1/2	4
4	001-0009	Nut, Hex -1/2-13NC	4

CAT. 0, 3-POINT HITCH, 12MX
B46-666A



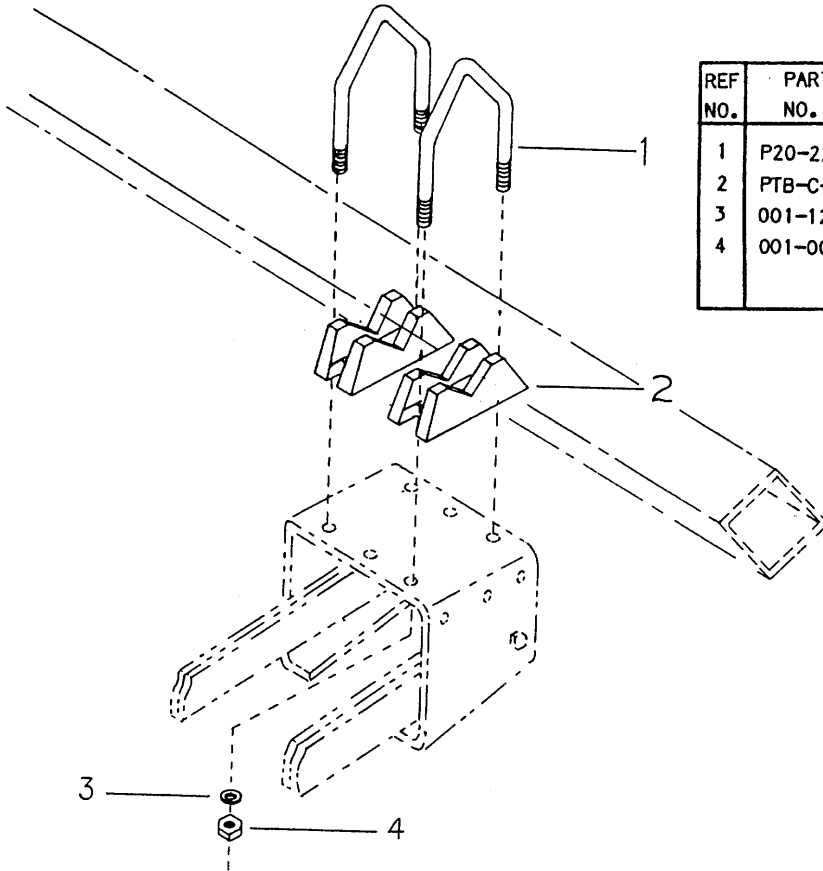
REF NO.	PART NO.	DESCRIPTION	NO. REQ
1	P46-700A	Hitch, 3 Point, Cat 0	1
2	001-2121-5	Screw, Cap HH ZP 1/2-13NC x 1 1/2, Gr. 5	4
3	001-1254	Lockwasher, 1/2	4
4	001-0009	Nut, Hex 1/2-13NC	4

GAUGE WHEEL, 12MX
B46-676



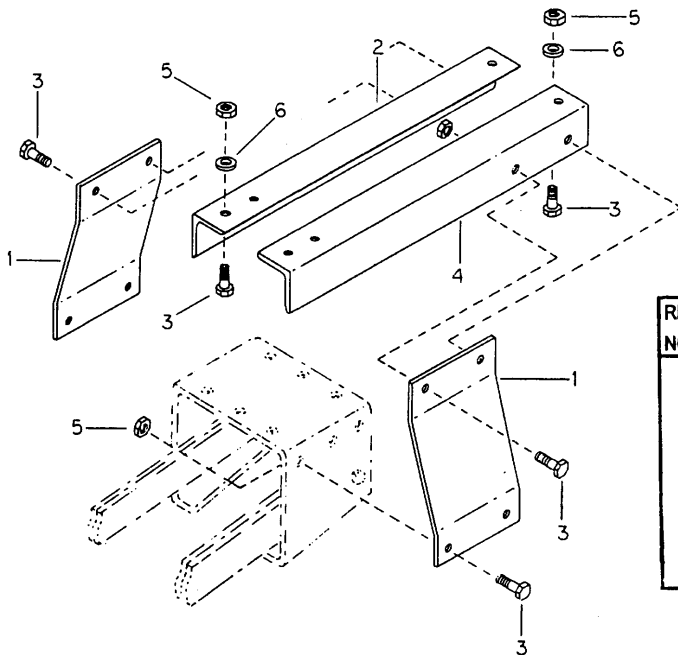
REF NO.	PART NO.	DESCRIPTION	NO. REQ
A		Screw, Cap HH ZP 3/8-16NC x 1-1/2 (Supplied with Planter)	2
1	001-2069	Screw, Cap HH ZP 3/8-16NC x 2	2
2	P46-681	Arm, Support	2
3	001-2063	Screw, Cap HH ZP 3/8-16NC x 3/4	4
4	P45-352	Rim, Half	2
5	P45-353	Tire, 4.00 x 12	1
6	P88-506C-P	Ball Bearing	1
7	001-2179	Screw, Cap HH ZP 3/4-10NC x 3	1
8	001-1252	Lockwasher, 3/8	6
9	001-0007	Nut, Hex ZP 3/8	6
10	001-1256	Lockwasher, 3/4	1
11	001-0012	Nut, Hex 3/4-10NC	1
12	010-0180	Wheel Assembly, 12 Zero Pressure	1
13	001-1008	Washer, Flat ZP 3/4	1

HITCH 2-1/2 CORNER MOUNTED BAR, 12MX
B46-670



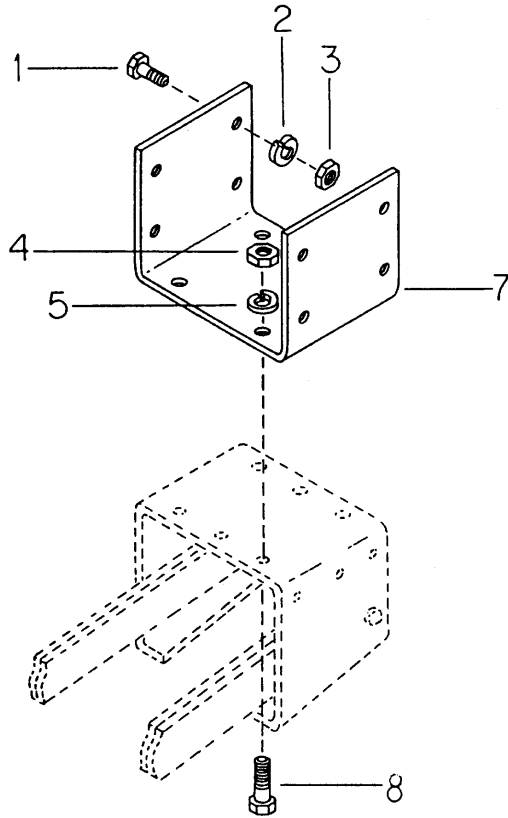
REF NO.	PART NO.	DESCRIPTION	NO. REQ
1	P20-224	U-Bolt, Angle Bend 1/2	2
2	PTB-C-1	Y-Block	2
3	001-1254	Lockwasher, 1/2	4
4	001-0009	Nut, Hex, ZP 1/2-13NC	4

CULTIVATOR HITCH, 12MX
B46-668



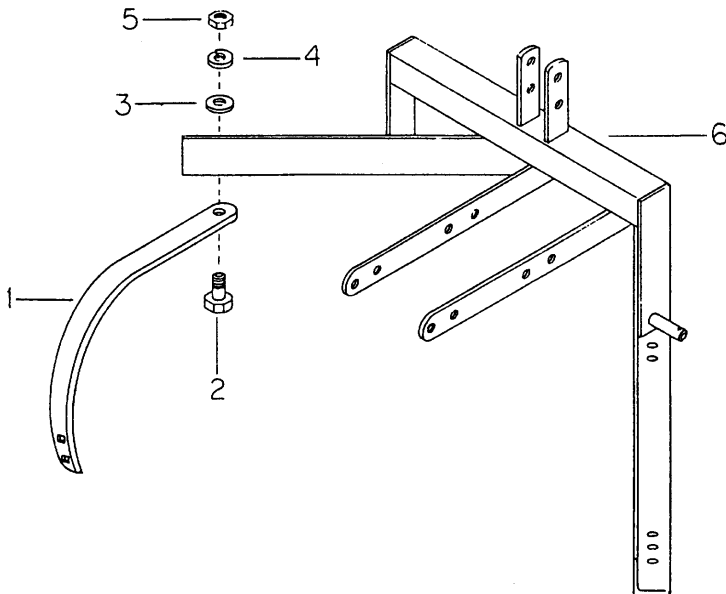
REF NO.	PART NO.	DESCRIPTION	NO. REQ
1	P46-686	Plate, Mounting	2
2	P46-688	Arm, Attachment, Left	1
3	001-2067	Screw, Cap HH ZP 3/8-16NC x 1-1/2 Lg.	12
4	P46-685	Arm, Attachment, Right	1
5	001-0055	Locknut, Hex ZP 3/8-16NC	12
	001-1003	Washer, 3/8 Flat	4

PLANTER MOUNTING BRACKET/301 STANDARD, 501 DELUXE
B21-357



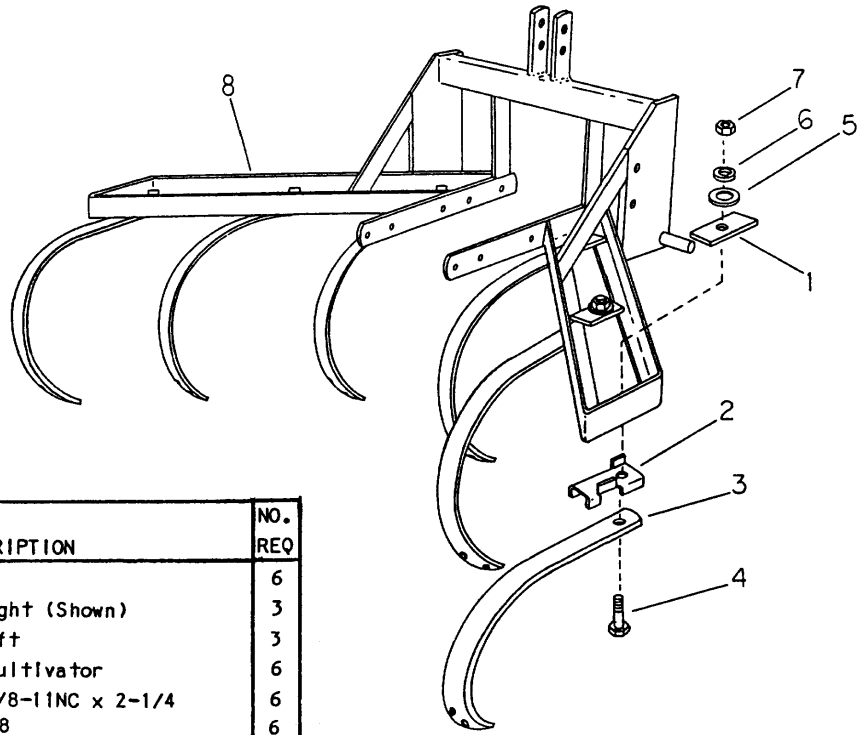
REF NO.	PART NO.	DESCRIPTION	NO. REQ
1	001-2065	Screw, Cap HH ZP 3/8-16NC x 1	4
2	001-1252	Lockwasher, 3/8	4
3	001-0007	Nut, Hex ZP 3/8-16NC	4
4	001-0009	Nut, Hex ZP 1/2-13NC	4
5	001-1254	Lockwasher, 1/2	4
6	001-2121	Screw, Cap HH ZP 1/2-13NC x 1-1/2	4
7	P21-358	Bracket, Mounting	1

301 STANDARD CULTIVATOR ASSEMBLY
012-0301



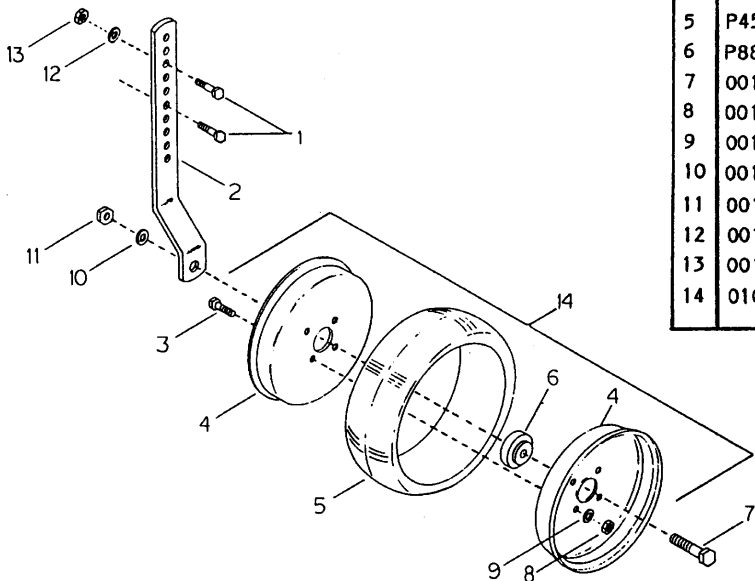
REF NO.	PART NO.	DESCRIPTION	NO. REQ
1	P15-028	Spring Tooth, Cultivator	6
2	001-2149	Screw, Cap HH ZP 5/8-11NC x 2	6
3	001-1007	Washer, Flat 5/8	6
4	001-1255	Lockwasher, 5/8	6
5	001-0011	Nut, Hex 5/8-11NC	6
6	P61-374B	Cultivator, 301 Weldment	1

501 DELUXE CULTIVATOR ASSEMBLY
012-0501



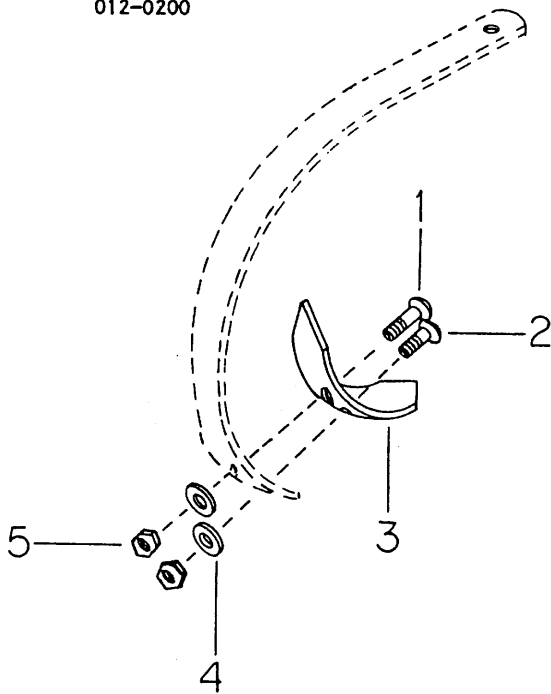
REF NO.	PART NO.	DESCRIPTION	NO. REQ
1	P60-304	Lock, Top	6
2	P60-297	Steel, Lock, Right (Shown)	3
	P60-298	Steel, Lock, Left	3
3	P15-028	Spring Tooth, Cultivator	6
4	001-2150	Screw, Cap HH 5/8-11NC x 2-1/4	6
5	001-1007	Washer, Flat 5/8	6
6	001-1255	Washer, Lock 5/8	6
7	001-0011	Nut, Hex 5/8-11NC	6
8	P61-864	Cultivator, 501 Weldment	1

GAUGE WHEELS, 501 DELUXE
B45-601



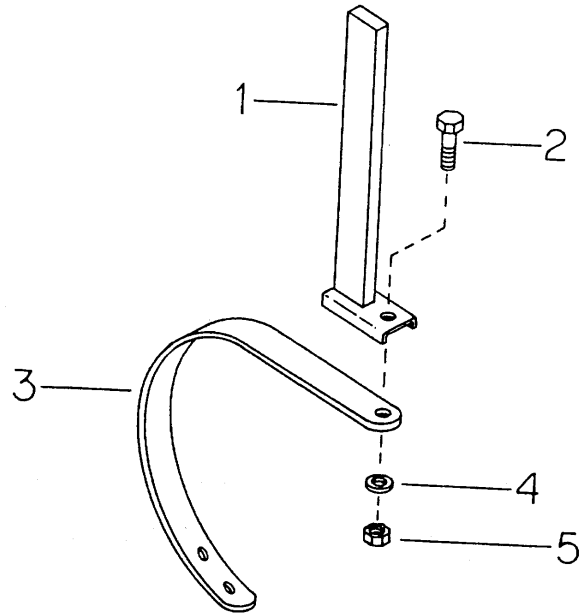
REF NO.	PART NO.	DESCRIPTION	NO. REQ
1	001-2067	Screw, Cap HH ZP 3/8-16NC x 1-1/2	4
2	P46-451	Leg, 1/2 x 2 x 19/C1045	2
3	001-2063	Screw, Cap HH ZP 3/8-16NC x 3/4	4
4	P45-352	Rim; Half	2
5	P45-353	Tire, 4.00 x 12	1
6	P88-506C-P	Ball Bearing	1
7	001-2176	Screw, Cap HH ZP 3/4-10NC x 2-1/4	2
8	001-0007	Nut, Hex 3/8-16NC	4
9	001-1252	Lockwasher, 3/8	4
10	001-1256	Lockwasher, 3/4	2
11	001-0012	Nut, Hex 3/4-10NC	2
12	001-1252	Lockwasher, 3/8	4
13	001-0007	Nut, Hex 3/8-16NC	4
14	010-0180	Wheel Assembly, 12 Zero Pressure	2

REVERSIBLE POINTS AND BOLTS
012-0200



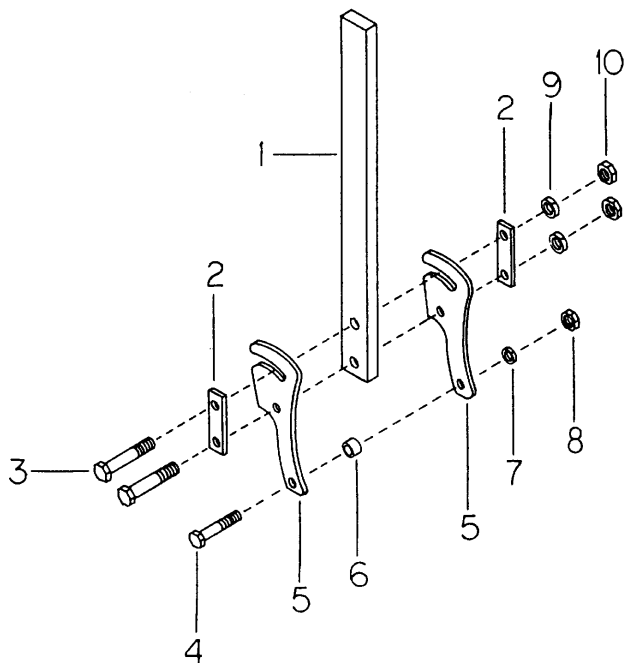
REF NO.	PART NO.	DESCRIPTION	NO. REQ
1	001-1741	Bolt, Plow No. 3 HD, 7/16 x 1-1/2	6
2	001-1740	Bolt, Plow No. 3 HD, 7/16 x 1-1/4	6
3	P15-027	Reversible Cultivator Points 1/4 x 2 x 10"	6
4	001-1004	Washer, Flat, 7/16 ZP USS STD Wrought	12
5	001-0008	Nut, Hex, ZP, 7/16-14NC	12

SPRING SHANK ERADICATOR
B47-047



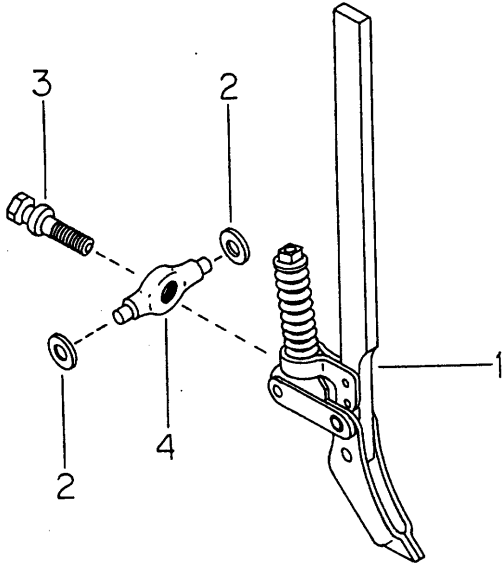
REF NO.	PART NO.	DESCRIPTION	NO. REQ
1	P47-055	Weldment, Spring Shank	1
2	001-2147	Screw, Cap HH ZP 5/8-11NC x 1-1/2	1
3	P15-028	Cultivator, Spring Tooth	1
4	001-1255	Lockwasher, 5/8	1
5	001-0011	Nut, Hex ZP 5/8-11NC	1

FRICITION TRIP ERADICATOR
B46-658



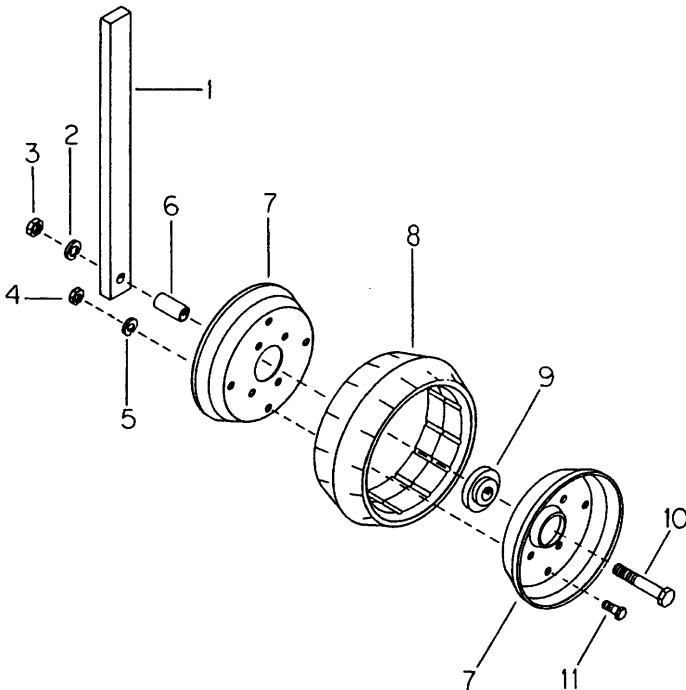
REF NO.	PART NO.	DESCRIPTION	NO. REQ
1	P45-557	Stem, 3/4 x 2 x 24	1
2	P45-943	Friction Steel	2
3	001-2071	Screw, Cap HH ZP 3/8-16NC x 2-1/2	2
4	001-2039	Screw, Cap HH ZP 5/16-18NC x 2	1
5	P45-718	Trip Foot Steel	2
6	P45-596	Spacer, 3/8 BIP x 3/4	1
7	001-1251	Lockwasher, 5/16	1
8	001-0006	Nut, Hex ZP 5/16-18NC	1
9	001-1252	Lockwasher, 3/8	2
10	001-0007	Nut, Hex ZP 3/8-16NC	2

AUTOMAX TRACK ERADICATOR
B46-093



REF NO.	PART NO.	DESCRIPTION	NO. REQ
1	B46-093	3/4 x 2 x 30 Automax Track Eradicator/ Less Clamp	1
2	001-1052	Washer, Machine ZP SAE 1/2	2
3	001-2151-A	Screw, Cap HH ZP 5/8-11NC x 2-1/2 Special	1
4	017-1430	Support, Trip & Sleeve Adjusting	1

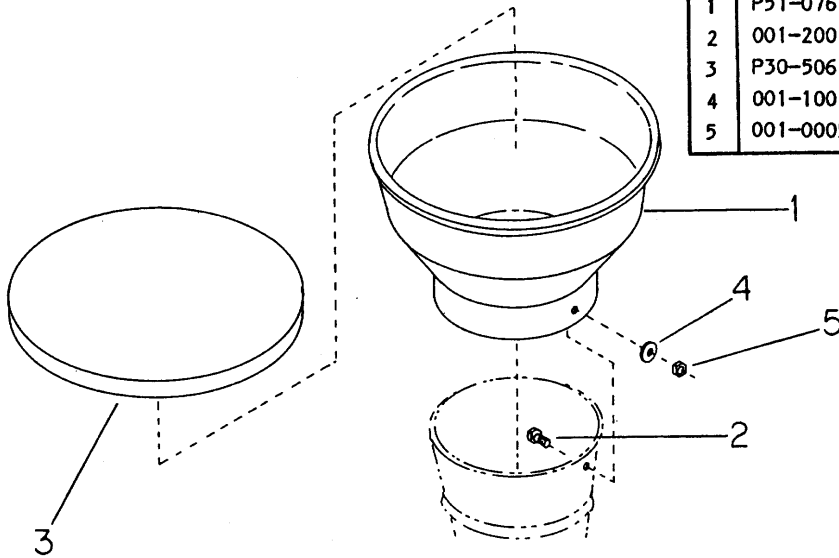
12" ZERO PRESSURE GAUGE WHEEL
B47-121



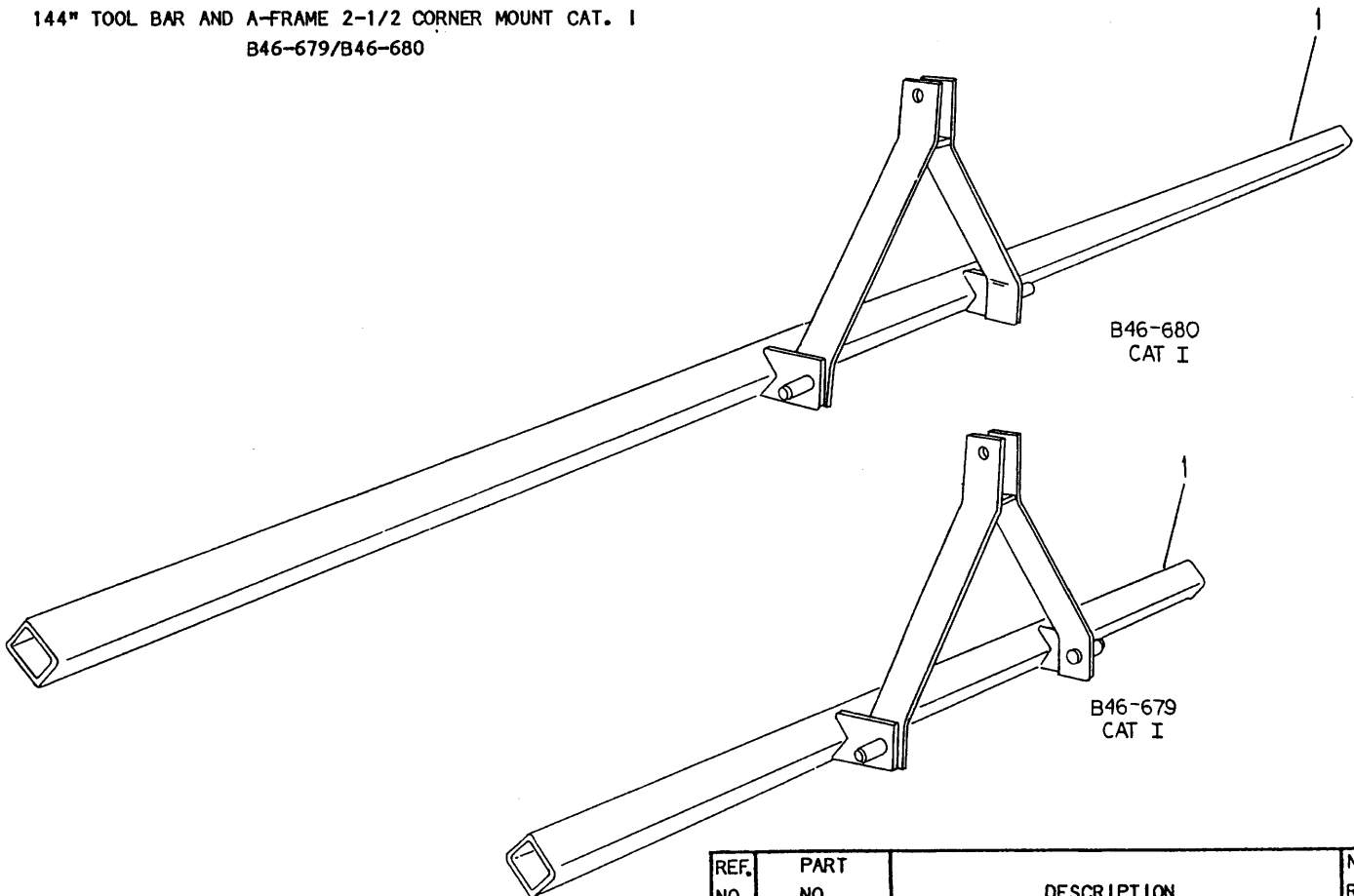
REF NO.	PART NO.	DESCRIPTION	NO. REQ
1	P47-255	Shank, 3/4 x 2 x 24	1
2	001-1256	Lockwasher, 3/4	1
3	001-0012	Nut, Hex 3/4 -10NC	1
4	001-1252	Lockwasher, 3/8	4
5	001-0007	Nut, Hex 3/8-16NC	4
6	P45-840	Spacer, 3/4 Pipe x 2	1
7	P45-352	Rim, Half	2
8	P45-353	Tire, 4.00 x 12	1
9	P88-506C-P	Ball Bearing	1
10	001-2184	Screw, Cap HH ZP 3/4 -10NC x 4-1/2	1
11	001-2063	Screw, Cap HH ZP 3/8 -16NC x 3/4	4

12MX FERTILIZER HOPPER EXTENSION
B51-075

REF NO.	PART NO.	DESCRIPTION	NO. REQ
1	P51-076	Extension, Hopper/12 MX	1
2	001-2002	Screw, Cap HH 1/4-20NC x 1/2	3
3	P30-506	Lid, Hopper Plastic	1
4	001-1001	Washer, Flat ZP 1/4 USS	3
5	001-0005	Nut, Hex ZP 1/4-20NC	1



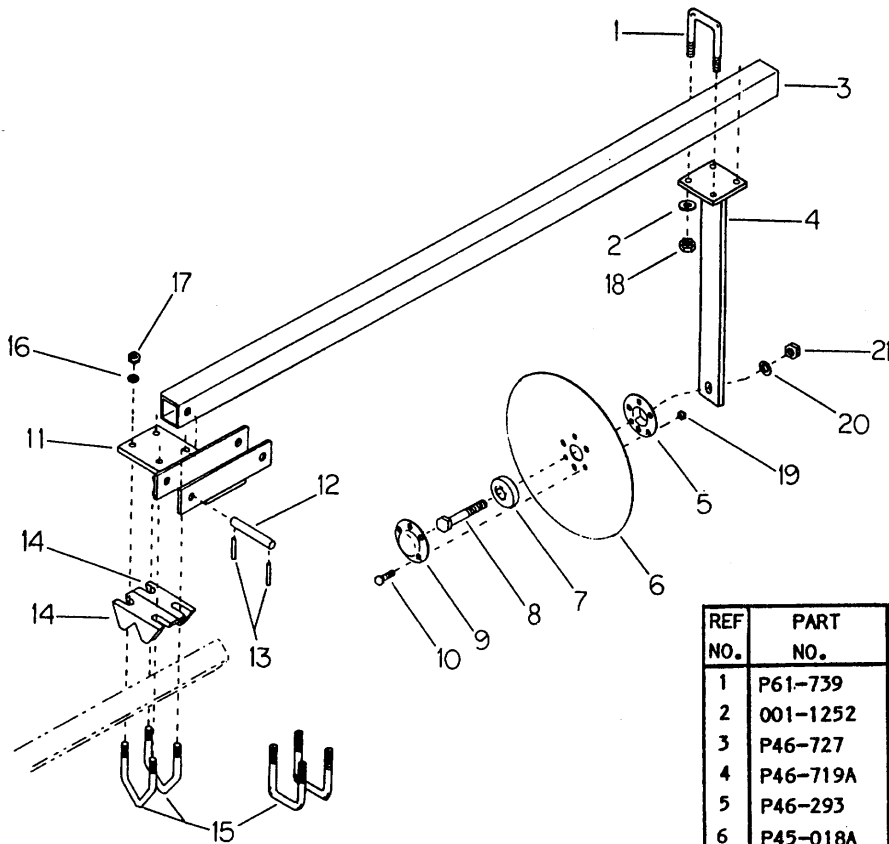
80" TOOL BAR AND A-FRAME 2-1/2 CORNER MOUNT CAT. I
144" TOOL BAR AND A-FRAME 2-1/2 CORNER MOUNT CAT. I
B46-679/B46-680



REF. NO.	PART NO.	DESCRIPTION	NO. REQ
1	B46-679	Weldment, 80 Tool Bar & A-Frame, 2-1/2 Corner Mount, CAT. I	1
1	B46-680	Weldment, 144 Tool Bar & A-Frame, 2-1/2 Corner Mount, CAT. I	1

MANUAL DROP ROW MARKER ASSEMBLY
B47-159 & B47-125

NO LONGER AVAILABLE



REF NO.	PART NO.	DESCRIPTION	NO. REQ
1	P61-739	U-Bolt, Square Bend 3/8 Dia.	4
2	001-1252	Lockwasher, 3/8	8
3	P46-727	Arm, Tube	2
4	P46-719A	Weldment, Disc Arm	2
5	P46-293	Flange	2
6	P45-018A	Blade, Disc 13 Concave	2
7	P88-506C-P	Bearing, Ball 3/4 Bore	2
8	P45-750	Screw, Cap HH ZP 3/4-10NC x 2-1/2 Slotted	2
9	POU-496	Cap, Flange	2
10	001-2033-5	Screw, Cap HH ZP 5/16-18NC x 3/4 Gr. 5	12
11	P47-256	Weldment, Guide Arm	
12	P46-447	Pin, 5/8 Dia.	2
13	001-3431	Pin, Roll 1/4 x 1	2
14	P62-186	Clamp, Cast Block 4 Spread	4
		Mount to 2-1/2 Corner Mounted Tool bar	4
15	P62-152	U-Bolt, Angle Bend 5/8 Dia., 2-1/2 Corner Mounted Bar	4
	P60-911	U-Bolt, Square Bend 5/8 Dia. 4 x 4 Bar	4
	P62-019	U-Bolt, Square Bend 5/8 Dia. 4 x 7 Bar	4
16	001-1255	Lockwasher, 5/8	8
17	001-0011	Nut, Hex ZP 5/8-11NC	8
18	001-0007	Nut, Hex ZP 3/8-16NC	8
19	001-0006	Nut, Hex ZP 5/16-18NC	12
20	001-1256	Lockwasher, 3/4	2
21	001-0012	Nut, Hex ZP 3/4-10NC	2

NOTE: Items 14, 15, 16, and 17 are not part of B47-159